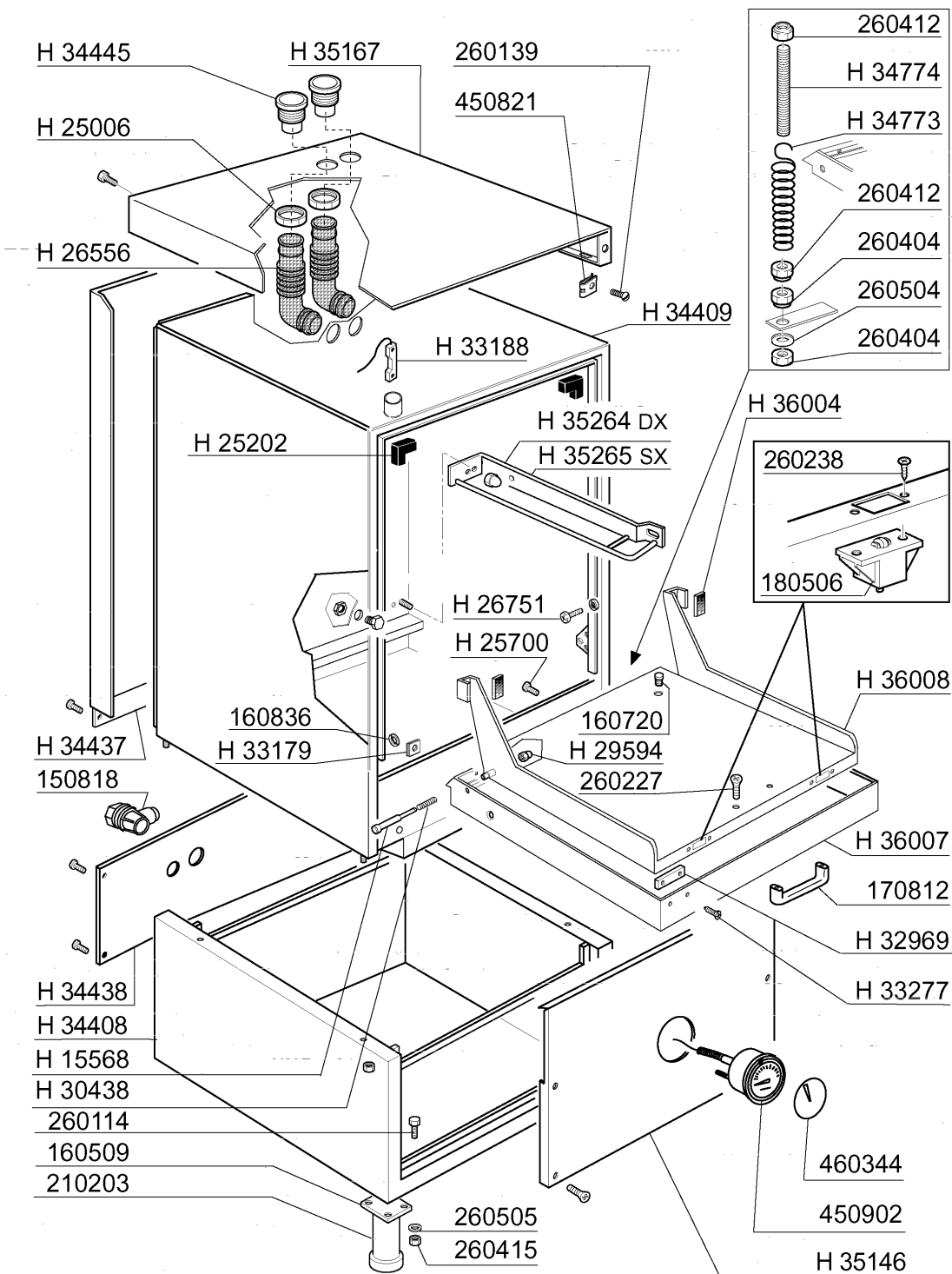


12 - 2004 S. AG.

2 - Hood

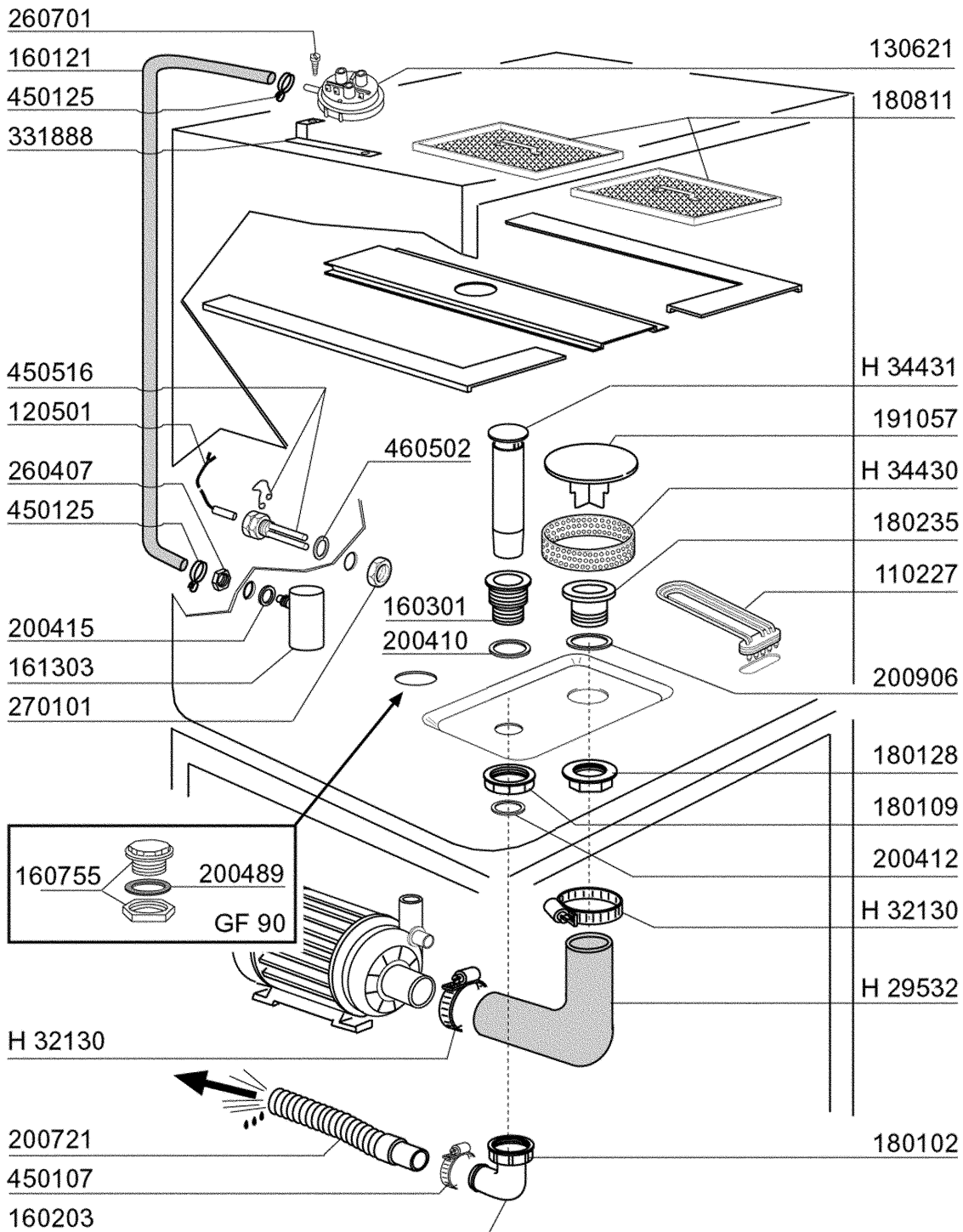
CODE	DESCRIPTION
150818	CABLE HOLDER PG 13,5
160509	FOOT SUPPORT
160720	PLUG HEYCO D.8
160836	DOOR WASHER BR-BC-FC
160837	GASKET FOR TIE ROD BC-FC
160909	SUPPORT FOR GASKET
170812	GREY DOOR HANDLE
180506	DOOR CATCH BR-BC-FC
210203	RUBBER FOOT 30 MM
260114	SCREW TE 8X25
260139	SCREW TE 5X16
260227	M5 X 30 MUSHROOM HEAD SCREW
260238	M4 X 10 MUSH/HD SCREW
260404	STAINLESS STEEL NUTS D6 UNI 55
260412	SELF-LOCKING NUT M6
260414	SELF-LOCKING NUT M5
260415	STAINLESS STEEL SELF-LOCKING N
260503	STAINL.STEEL FLAT WASHER D5 UN
260504	ST/ST FLAT WASHER D6
260505	STAINL.STEEL FLAT WASHER D8
450821	SPRING CLIP FASTENER SNU 3634
450902	SQUARE THERMOMETER 0-120°C 150
460344	PLATE
H15568	DOOR PIN FOR DOOR GF70/90
H25006	NUT FOR HOSE H26556
H25202	PAD FOR DOOR GF90
H25700	SCREW TC 4X8
H26556	HOSE
H26751	SCREW TC 6X12
H28699	SCREW TC 4X10
H30438	SPRING
H31910	SCREW
H32969	DOOR MAGNET
H33179	S/S NUTS 4MA
H33188	MICRO-SWITCH FOR DOOR GF90
H33277	SCREW TSP 2,9X9,5
H34408	BASEMENT FOR GF90
H34409	HOOD GF90
H34437	BACK COVER GF90
H34438	LOWER BACK PANEL
H34440	DOOR ROD GF90
H34445	CONNECTOR GF90
H34773	DOOR SPRING GF90
H34774	TIE ROD FOR DOOR SPRING GF90
H34827	DOOR CATCH FOR GF90 DOOR
H35146	FRONT LOWER PANEL
H35167	UPPER COVER GF90
H35201	SUPPORT FOR TIE ROD GF90
H35202	BUSH FOR TIE ROD GF90
H35264	RIGHT RACK GUIDE GF90
H35265	LEFT RACK GUIDE GF90



12 - 2004 S. AG.

3 - Hood

CODE	DESCRIPTION
150818	CABLE HOLDER PG 13,5
160509	FOOT SUPPORT
160720	PLUG HEYCO D.8
160836	DOOR WASHER BR-BC-FC
170812	GREY DOOR HANDLE
180506	DOOR CATCH BR-BC-FC
210203	RUBBER FOOT 30 MM
260114	SCREW TE 8X25
260139	SCREW TE 5X16
260227	M5 X 30 MUSHROOM HEAD SCREW
260238	M4 X 10 MUSH/HD SCREW
260404	STAINLESS STEEL NUTS D6 UNI 55
260412	SELF-LOCKING NUT M6
260415	STAINLESS STEEL SELF-LOCKING N
260504	ST/ST FLAT WASHER D6
260505	STAINL.STEEL FLAT WASHER D8
450821	SPRING CLIP FASTENER SNU 3634
450902	SQUARE THERMOMETER 0-120°C 150
460344	PLATE
H15568	DOOR PIN FOR DOOR GF70/90
H25006	NUT FOR HOSE H26556
H25202	PAD FOR DOOR GF90
H25700	SCREW TC 4X8
H26556	HOSE
H26751	SCREW TC 6X12
H29594	BLIND NUT M4
H30438	SPRING
H32969	DOOR MAGNET
H33179	S/S NUTS 4MA
H33188	MICRO-SWITCH FOR DOOR GF90
H33277	SCREW TSP 2,9X9,5
H34408	BASEMENT FOR GF90
H34409	HOOD GF90
H34437	BACK COVER GF90
H34438	LOWER BACK PANEL
H34445	CONNECTOR GF90
H34773	DOOR SPRING GF90
H34774	TIE ROD FOR DOOR SPRING GF90
H35146	FRONT LOWER PANEL
H35167	UPPER COVER GF90
H35264	RIGHT RACK GUIDE GF90
H35265	LEFT RACK GUIDE GF90
H36004	PAD FOR DOOR GF90
H36007	GF90 DOOR
H36008	GF90 DOOR BACK PANEL

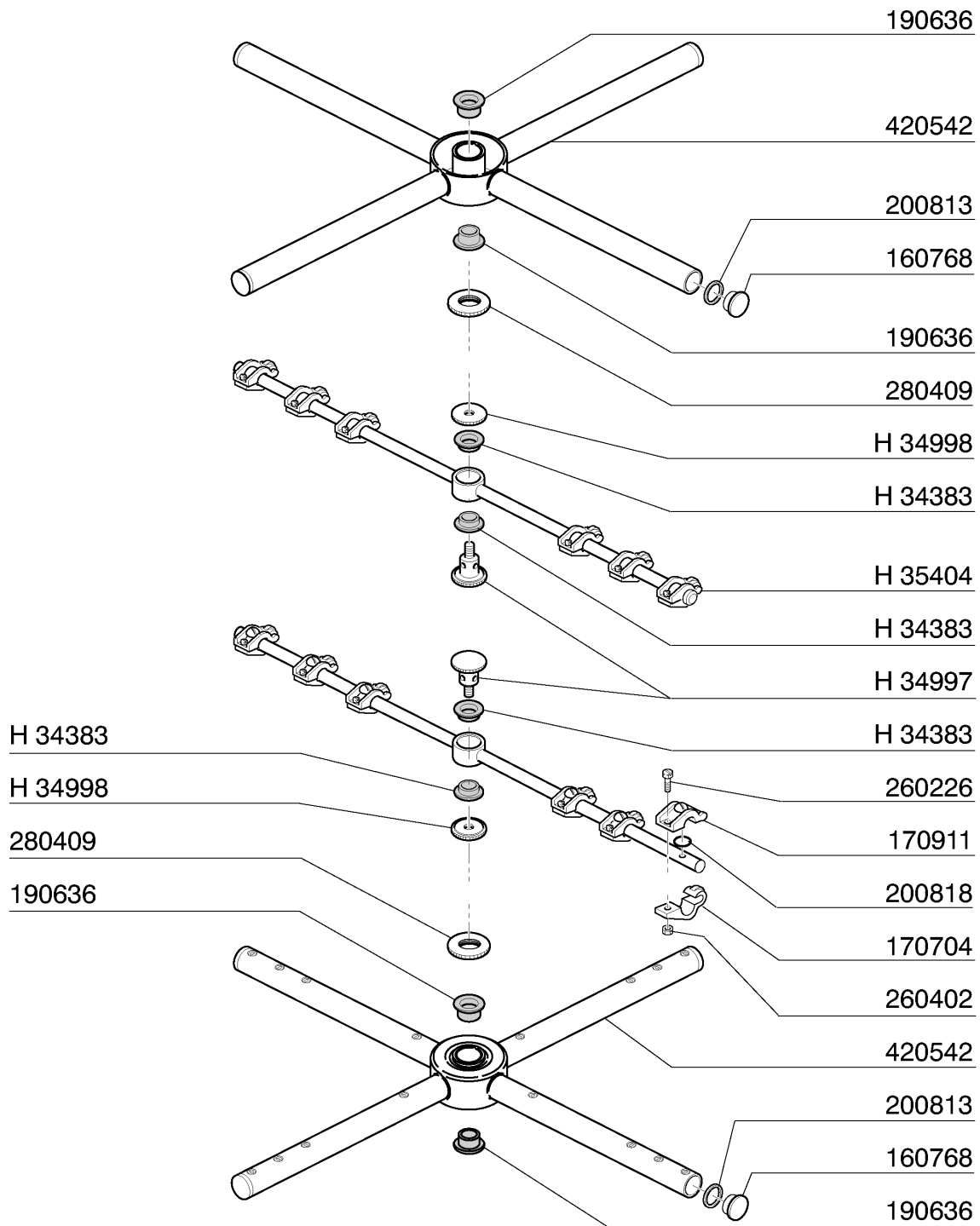


10 - 2000 S.AG.

4 - Tank

CODE	DESCRIPTION
110227	HEAT. ELEMENT 3000W 230/400V
120501	THERMOSTAT 30/90°C
130621	PRESSURE SWITCH FOR BC HR 45/2
160121	HOSE EPDM D. 5 X 9
160203	ELBOW 1"1/2 N-S-F-C /DRAIN
160301	DRAIN OUTLET 1"1/2 C-S-N
160755	PLUG FOR MACHINES WITHOUT SOFT
161303	AIR TRAP GLASSWASHER
180102	DRAIN PIPE NUT 1"1/2 F45-55
180109	LOCK NUT 1 1/2"
180128	RING NUT 65,4 C140 C85
180235	PUMP SUCTION C85-140
180811	FLAT STRAINER C34-S1600
191057	SUCTION HOSE COVER C85-C140
200410	DRAIN OUTL.WASH.1 1/2"65X47X2
200412	GASKET DRAIN 11/2" 45X33X3
200415	AIR TRAP GASKET -F2 18,5X10X3
200489	GASKET 81X68X3
200721	DRAIN HOSE 28X35 2MT.
200906	GASKET D.92X66X2
260407	STAINLESS STEEL NUTS D10 UNI 5
260701	SCREW 3,5X9,5
270101	HEXAGON LOCK NUT 1/2"
331888	BRACKET PRESSURE SWITCH BCHR
450107	CLAMP FE ZN 38-50 H=12,2
450125	ELASTIC CLAMP D. 10,4X9,8
450516	THERMOSTAT SHIELD FOR 2 TERMOS
460502	GASKET 30X21X2
H29532	GF90 PUMP INLET HOSE
H32130	CLAMP
H34430	FILTER FOR PUMP GF90
H34431	OVERFLOW PIPE GF90

5 - Wash arm

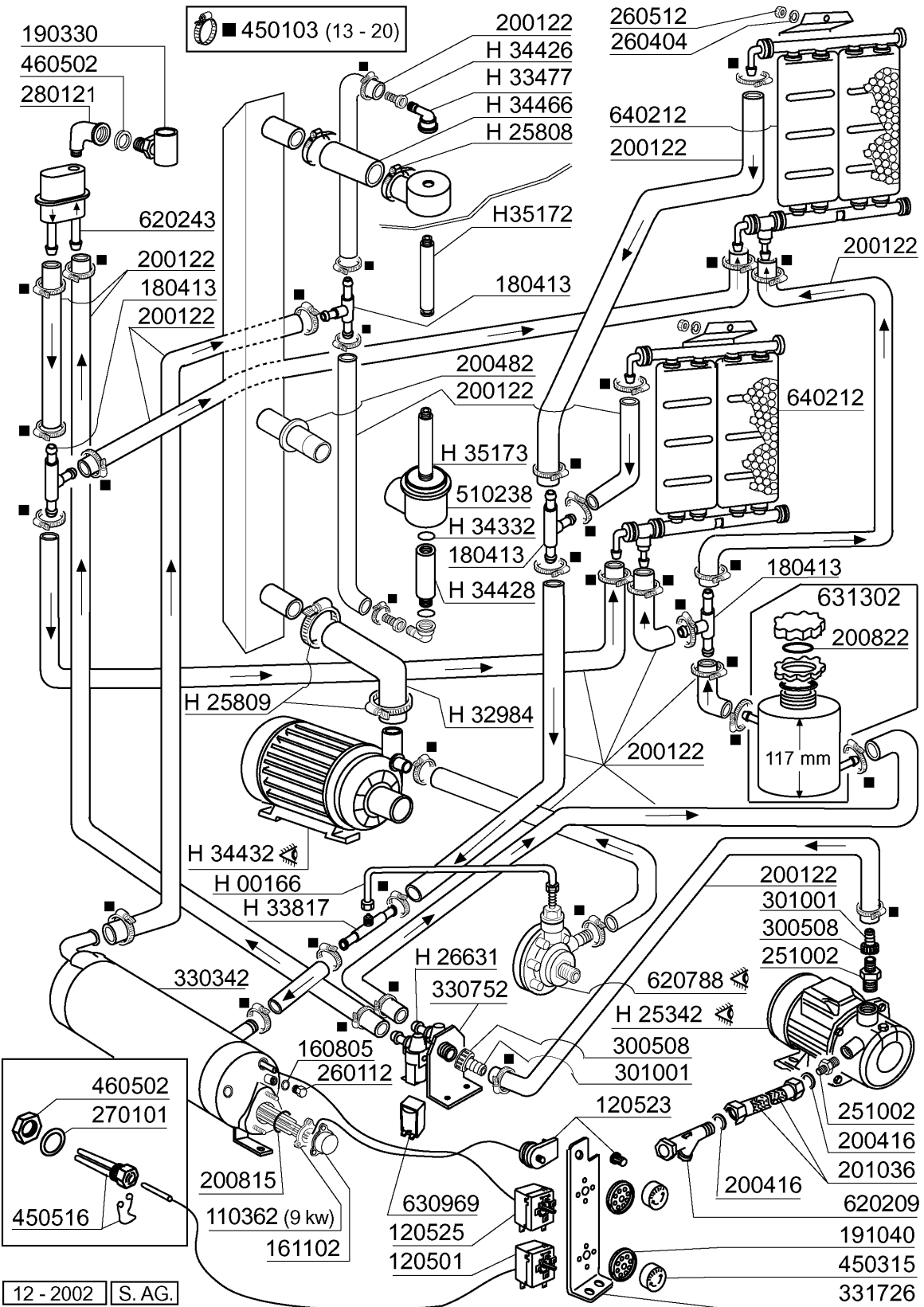


04-2008 M.SA

5 - Wash arm

CODE	DESCRIPTION
160768	PLUG FOR "C95-155" WASH ARM
170704	RINSE NOZZLE BOTTOM F-B-C33
170911	RINSE JET B23-F2-C34
190636	BUSH FOR C95-155-165 WASH ARM
200813	OR GASKET 2,21X16,36X20,78
200818	O-RING 1,78 X 6,75 X 10,31
260226	STAINL.ST TCP SCREW 4X12 A2 UN
260402	STAINLESS STEEL NUT D4 UNI 55
280409	RETAIN.LOCK NUT CENTR.CROSS C1
420542	WASH ARM G60-100L
H34383	GF90 RINSE ARM BUSH
H34997	PIN FOR RINSE ARM GF90
H34998	RETAIN.LOCK NUT
H35404	RINSE ARM GF90

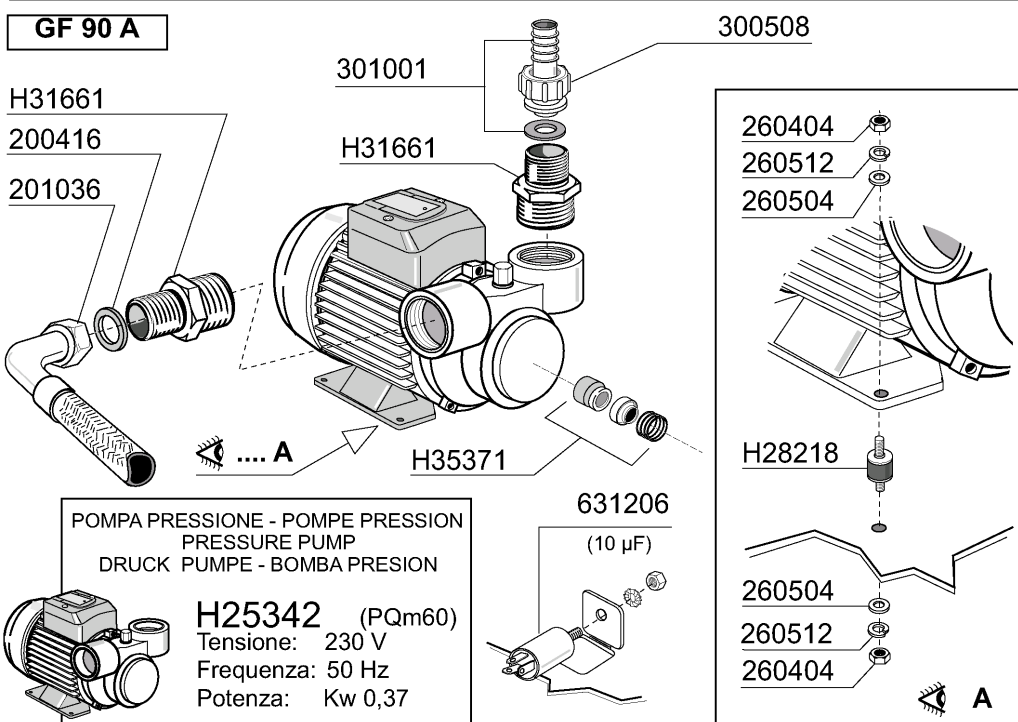
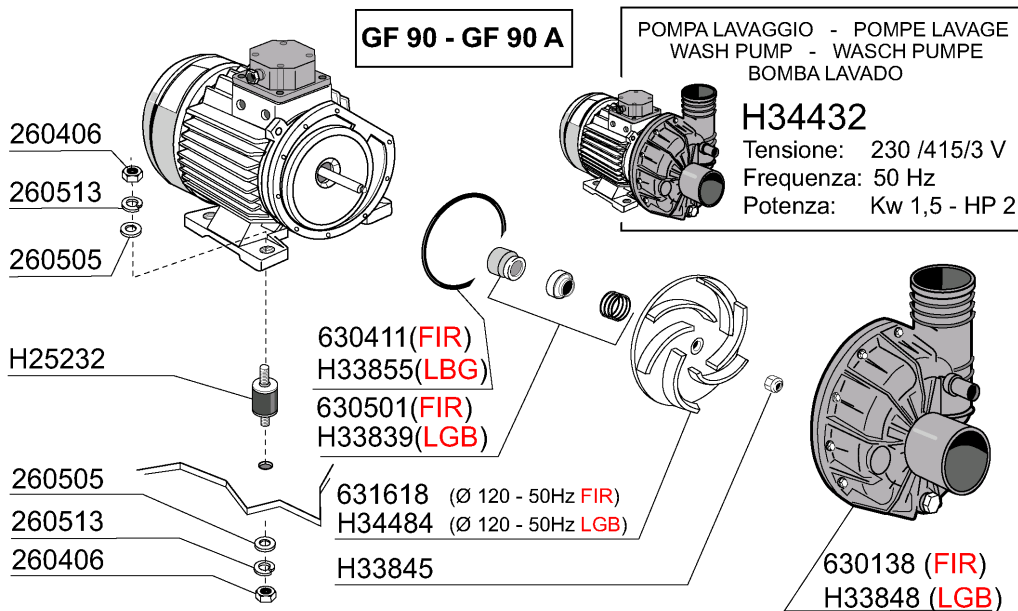
6 - Washing/rinse/water softener assembly



12 - 2002 | S. AG.

6 - Washing/rinse/water softener assembly

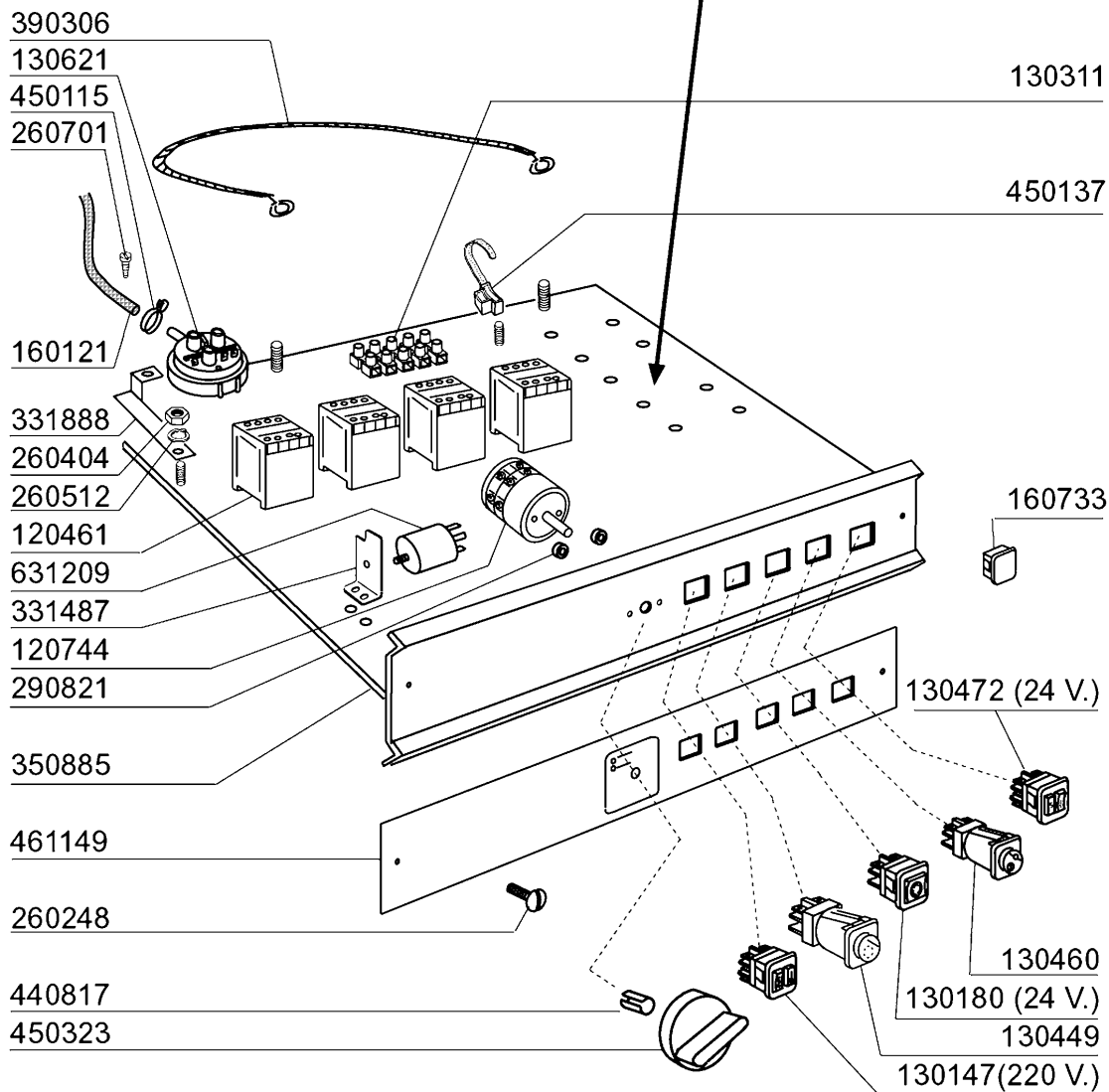
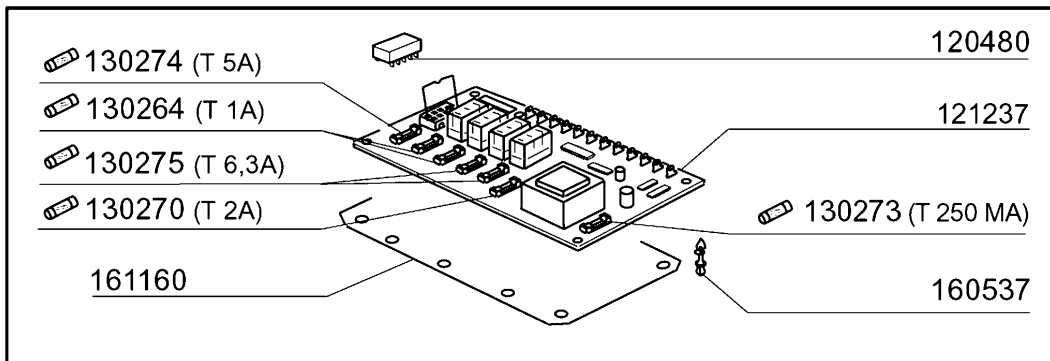
CODE	DESCRIPTION
110362	HEAT.ELEMENT 9000W 220/380V
120501	THERMOSTAT 30/90°C
120523	SAFETY THERMOSTAT 110°C
120525	BOOSTER THERMOSTAT 2 TEMPERAT.
160805	GASKET D.8
161102	ELEMENT COVER MOPL.
180413	TEE NIPPLE D.11,5 - RINSE ASSE
190330	TEE FOR VAACUM BREAKER
191040	FRAME F.THERMOSTAT KNOB
200122	HOSE 11X19
200416	GASKET D. 3/4"
200482	GASKET 60X54 RAMP C140
200815	O-RING F. HEAT.ELEM.
200822	PLUG GASKET OF SALT CONTAINER
201036	INLET HOSE 2 MT
251002	RIDUZIONE INOX 304 1"X3/4"M.M
260112	STAINLESS STEEL TE-SCREW 8X16
260404	STAINLESS STEEL NUTS D6 UNI 55
260512	ST/ST GROWER WASHER D6
270101	HEXAGON LOCK NUT 1/2"
280121	ELL FOR VAACUM BREAKER
300508	LOCK NUT 3/4"
301001	NIPPLE FE-ZN 3/4"
330342	BOILER C95-C155-C165
330752	BRACKET
331726	BRACKET FOR 3 THERMOSTATS
450103	CLAMP FE ZN. 13-20 H=9
450315	KNOB F. THERMOSTAT 90°C
450516	THERMOSTAT SHIELD FOR 2 TERMOS
460502	GASKET 30X21X2
510238	NICKEL-PLATED WASH-RINSE ARM
620209	INLET WATER FILTER
620243	VACUUM BREAKER (WITHOUT KIT)
620788	RINSE AID INJECTOR H21428
630969	COIL S4216 220/50HZ
631302	SALT CONTAINER
640212	WATER SOFTENER FOR "F" RANGE
H00166	HOSE
H25342	RINSE PUMP GF90
H25808	CLAMP
H25809	CLAMP 40-64
H26631	2-WAY SOLENOID VALVE GF90
H32984	GF90 PUMP OUTLET HOSE
H33477	HOSE BARB FF 3/8 1/4
H33817	HOSE BARB
H34332	JOINT
H34426	HOSE BARB 1/4
H34428	CONNECTOR
H34432	PUMP HP2 220/380V-50HZ
H34466	OUTLET HOSE
H35172	UPPER ARM SUPPORT GF90
H35173	LOWER ARM SUPPORT GF90



09 - 2009 | M.S.A.

7 - Pump

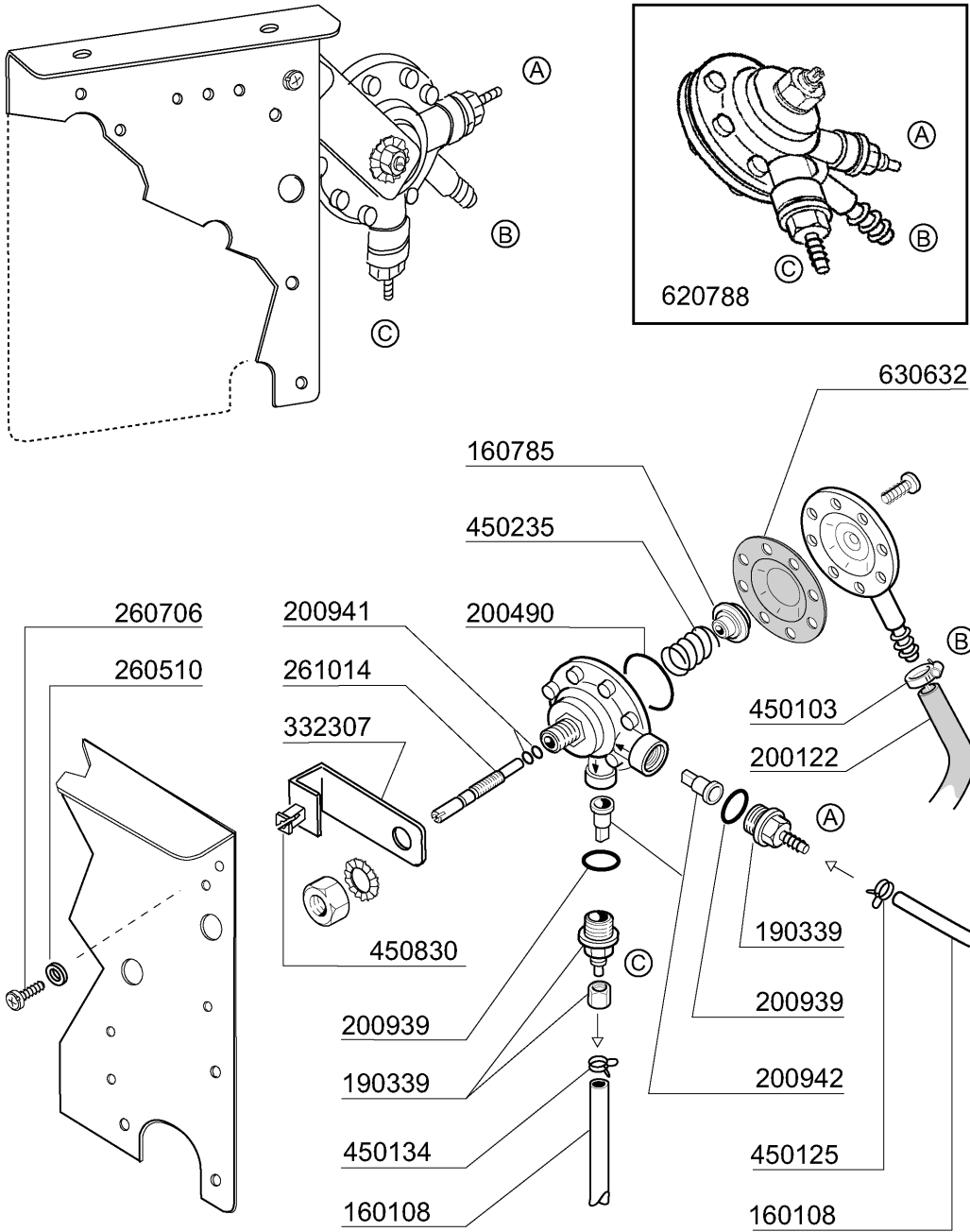
CODE	DESCRIPTION
200416	GASKET D. 3/4"
201036	INLET HOSE 2 MT
260404	STAINLESS STEEL NUTS D6 UNI 55
260406	NUT 8MA
260504	ST/ST FLAT WASHER D6
260505	STAINL.STEEL FLAT WASHER D8
260512	ST/ST GROWER WASHER D6
260513	GROWER WASHER D8
300508	LOCK NUT 3/4"
301001	NIPPLE FE-ZN 3/4"
630138	VOLUTE FOR PUMP LC
630411	O-RING PUMP FI HP 2-2,7
630501	SEAL FOR PUMP HP 2-3-3,2
631206	CONDENSER 10MF. 450V 85C
631618	IMPELLER PUMP F HP2-D.116,5
H25232	VIBRATION-DAMPING FEET GF90
H25342	RINSE PUMP GF90
H28218	PUMP FEET
H31661	CONNECT.1" - 3/4" MM
H33839	SEAL FOR PUMP GF90
H33845	SCREW FOR PUMP IMPELLER GF90
H33848	PUMP VOLUTE GF90
H33855	JOINT FOR GF90 PUMP
H34432	PUMP HP2 220/380V-50HZ
H34484	PUMP IMPELLER GF90
H35371	SEAL FOR PUMP



10 - 2000 S. AG.

8 - Control box

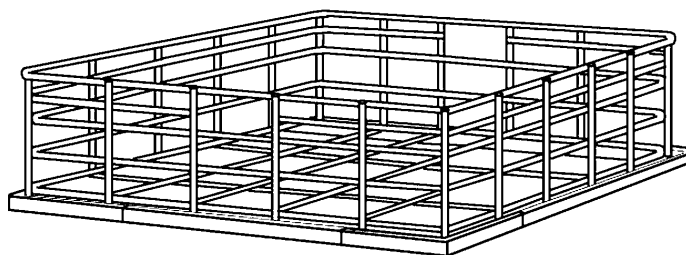
CODE	DESCRIPTION
120461	CONTACTOR ABB B6-30-01 220V
120480	RELAY 16A 24V
120744	SWITCH QUADRIPOLE.16A 380V
121237	ELECTRONIC PCB (FC WITH SOFT.)
130147	DOUBLE LAMP ON/READY 30X30 220
130180	GREEN LIGHT 24V:WORKING MACHIN
130264	FUSE 5X20 1A
130270	FUSE 5X20 2A
130273	FUSE 5X20 250MA GLAS
130274	FUSE 5X20 5A GLAS
130275	FUSE 5X20 6,3A GLAS
130311	TERMINAL BLOCK
130449	PUSH BUTTON BR-BC-FC
130460	SWITCH FOR LAV-LINE GLASSWASHE
130472	PUSH BUTTON+LAMP REGENERATION
130621	PRESSURE SWITCH FOR BC HR 45/2
160121	HOSE EPDM D. 5 X 9
160537	ELECTRONIC CARD SPACER
160733	BLANK PLATES
161160	PROTECTION ELECT.CARD C/F
260248	SPECIAL SCREW TB 5X12
260404	STAINLESS STEEL NUTS D6 UNI 55
260512	ST/ST GROWER WASHER D6
260701	SCREW 3,5X9,5
290821	DISTANCE PIECE FOR SWITCH
331487	BRACKET FOR 1 THERMOSTAT
331888	BRACKET PRESSURE SWITCH BCHR
350885	PANEL SUPPORT "LF"
390306	CABLE
440817	SNAP RING LSCB/1853/17/00
450115	ELASTIC CLAMP D.8,3/7,8
450137	COLLAR CONNECTION WITH BASE 31
450323	KNOB FOR BC-BR-C95-C155
461149	CONTROL PANEL
631209	ANTI-NOISE FILTER



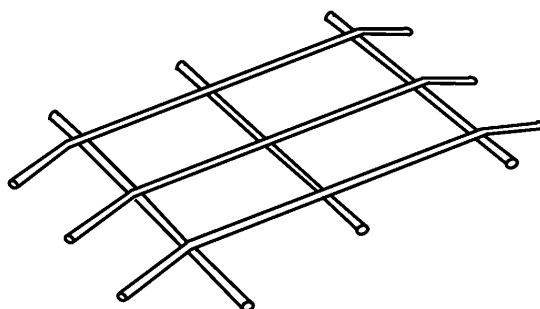
07/2008 M.SA

9 - Rinse aid injector

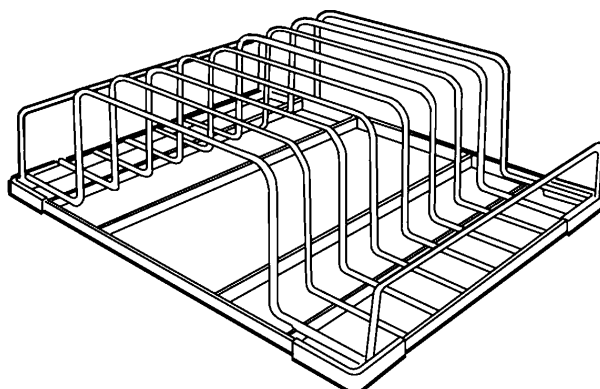
CODE	DESCRIPTION
160108	INJECT.INLET HOSE D.8X5
160785	GUIDE FOR SPRING RINSE AID INJ
190339	RINSE AID INJECTOR CONNECTION
200122	HOSE 11X19
200490	PROTECTION GASKET MOD.ADV.
200939	OR GASKET
200941	OR GASKET
200942	VALVE RINSE INJECTOR HVD
260510	GROWER WASHER D.4
260706	SCREW 3,9X13 S/S
261014	SCREW
332307	BRACKET
450103	CLAMP FE ZN. 13-20 H=9
450125	ELASTIC CLAMP D. 10,4X9,8
450134	ELASTIC HOSE CLIP D.9,3/8,8
450235	SPRING RINSE AID INJECTOR
450830	SCREW
620788	RINSE AID INJECTOR H21428
630632	DIAPHRAGM RINSE INJECTOR HVD



530232



H 35236



530237

10 - Rack

CODE	DESCRIPTION
530232	BASE RACK 600X500MM
530237	RACK
H35236	COMPARTMENT DIVIDERS GF90